



OBD II Cable

OBD II Cable

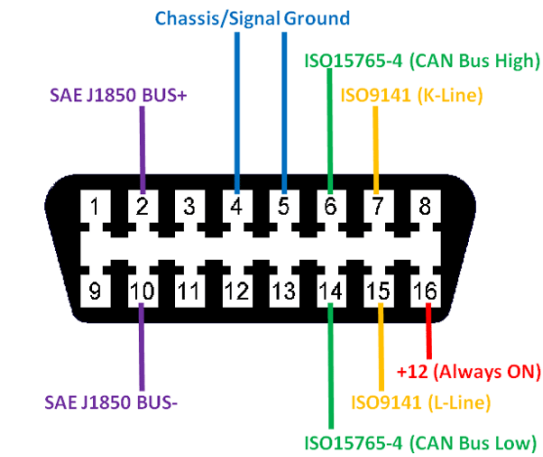
OBD Cable II for Vehicle Telematics



This is an OBD cable used with cars, vans, pick up, buses, mini-buses, heavy trucks, heavy machines, and vehicles. It plugs into the 16-PIN OBD socket in the vehicle from one side and on the other side, it can be connected to a host.

This cable makes it easy to plug and read/write information into vehicle OBD system. There is no converter chip in this cable. It is a plain OBD cable which terminates with an OBD socket from one side and on the other side terminates with jumper sockets on the 16-pins lines of an OBD socket. Simple to use, does the job when you want to expose the 16-pin OBD socket on the vehicle OBD socket.

The OBD cable can connect to either 12V OBD socket or 24V OBD socket. The cable can be used with plenty of host boards like Raspberry PI or Arduino.



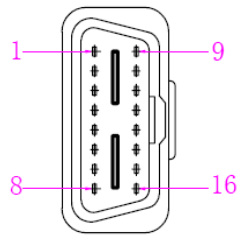
The OBD cable has 16 wires, and each wire connects to a single pin on the 16-pin OBD socket. The wire color as follows:

- PIN1: Brown -> Blank
- PIN2: Orange -> SAE J1850 Bus+
- PIN3: Yellow -> Blank
- PIN4: Black/White -> Chassis Ground
- PIN5: Black -> Signal Ground
- PIN6: Green -> CAN High
- PIN7: Blue -> ISO 9141 – K Line
- PIN8: Purple -> Blank
- PIN9: Gray -> Blank
- PIN10: Orange/White -> SAE J1850 Bus-
- PIN11: Pink -> Blank
- PIN12: Light Green -> Blank
- PIN13: Brown/White -> Blank
- PIN14: White -> CAN Low
- PIN15: Red/White -> ISO 9141 – L Line
- PIN16: Red -> 12V or 24V

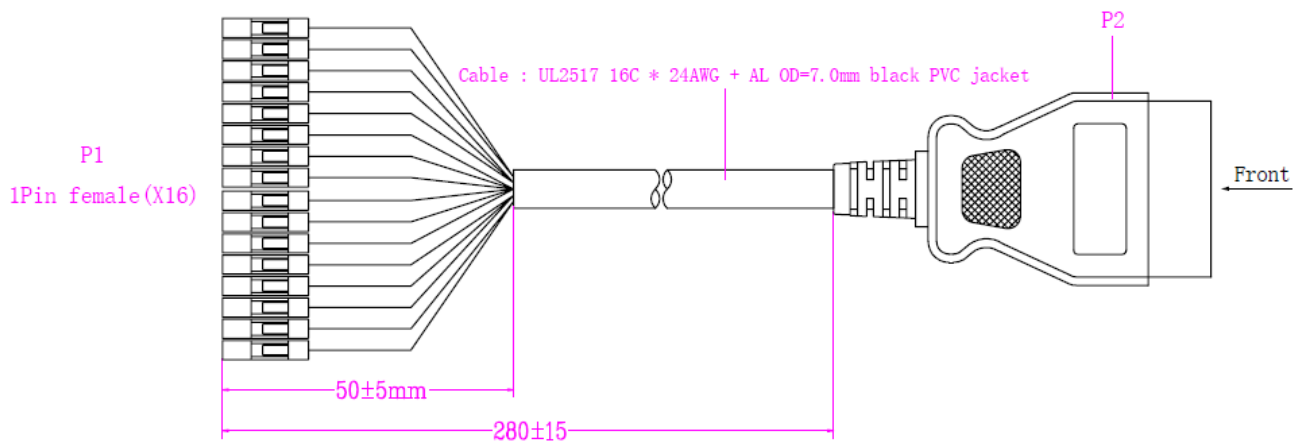
Specification

Female Terminals	16
1 Pin female housing	Pitch=2.54mm
OBD-16P male core	Black, 12V, 24V
Cable	UL2517 16C*24AWG AL OD =0.7mm
Cable	Black PVC Jacket
Contact Resistance:	< 1Ω
Insulation Resistance:	≥ 2MΩ
Dielectronic Strength:	300VDC
RoHS	RoHS (Directive EU 2015/863) Compliant.
Testing	100% open & Short testing & Miss Wire





Front view
P2 OBD-16 male



Pinout

P2 OBD-16P male

female terminal	brown	1
female terminal	orange	2
female terminal	yellow	3
female terminal	black/white	4
female terminal	black	5
female terminal	green	6
female terminal	blue	7
female terminal	purple	8
female terminal	gray	9
female terminal	orange/white	10
female terminal	pink	11
female terminal	Light green	12
female terminal	brown/white	13
female terminal	white	14
female terminal	red/white	15
female terminal	Red	16

